

# Dry Scroll Vacuum Pump

## ISP-500C VFD MODEL



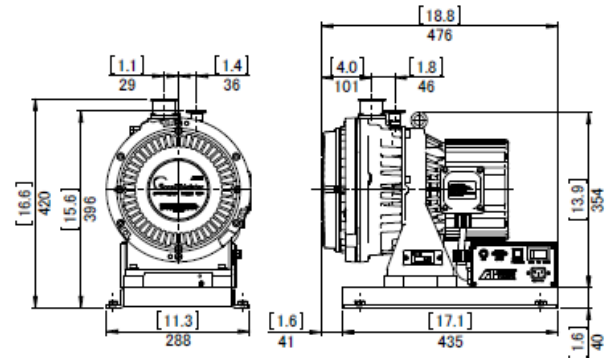
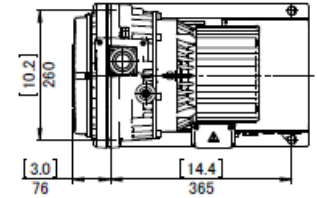
### Product features

- Remote and manual control
- 2 speed operation
- 3 year service intervals \*at low speed operation mode
- Excellent ultimate pressure

# Specifications

Model		ISP-500C-SV-D1	ISP-500C-SV-D2
Normal operation	Pumping Speed	600 L/min (21.2 CFM)	
	Ultimate Pressure	0.7 Pa ( $5.3 \times 10^{-3}$ Torr)	
Low speed operation	Pumping Speed	300 L/min (10.6 CFM)	
	Ultimate Pressure	3.0 Pa ( $2.3 \times 10^{-2}$ Torr)	
Control		Remote / Manual control	
Remote Interface		RS-485 / Input contact via D-sub 9 pin	
Leak Tightness		$1.0 \times 10^{-5}$ Pa · m <sup>3</sup> /s	
Voltage input		100-115V, 1 phase	200-230V, 1 phase
Noise Level 1m with air-flush on		60 dB(A) 68 dB(A)	
Inlet Flange Vibration		1.5 mm/s	
Inlet Flange		NW40	
Outlet Flange		NW25	
Dimension	Inlet vertical	476 x 288 x 420 mm (18.8 x 11.3 x 16.6 inch)	
	Inlet horizontal	476 x 328 x 394 mm (18.8 x 12.9 x 15.5 inch)	
Weight		44kg (97lb)	

Inlet vertical



Inlet horizontal

