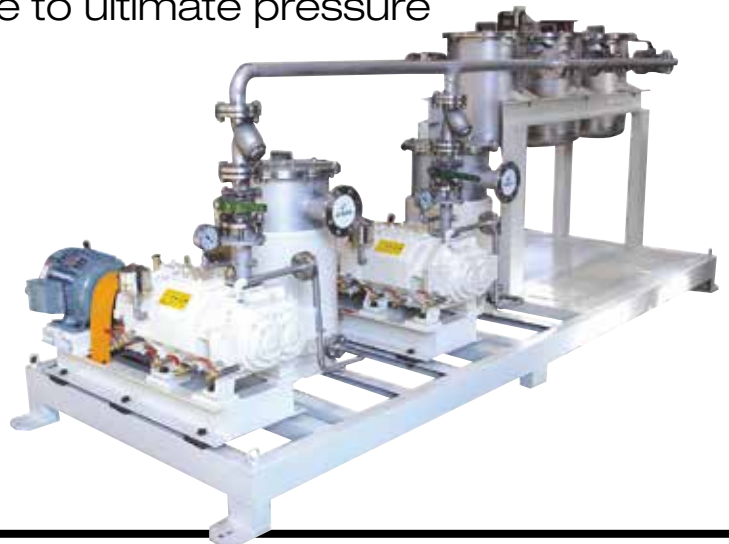




HIGH CAPACITY INDUSTRIAL DRY SCREW PUMPS

Rugged, Low Cost of Ownership Alternative to Oil-Sealed Pumps

- Single stage units from 150 M³/hr to 3,000M³/Hr
- Multi-stage units up to 10,000 M³/Hr
- Manage large volumes of dust and condensable vapor without loss of performance
- Reduced maintenance and oil management costs
- Operate continually from atmosphere to ultimate pressure



Typical Applications

Glass Coating
Vacuum Impregnation
Vacuum Concentration
Metal Degasification

Space Simulation
Vacuum Distillation: Vitamins, Medicine
Vacuum Drying and Freeze Drying
Vacuum Shaping
Adaptable for many other applications

PO Box 177 | 2510 N. Townsend Ave.
Montrose, Colorado 81401

970-240-9429

Fax: 970-240-8996

Sales@SynSysCo.com



INDUSTRIAL DRY SCREW PUMPS

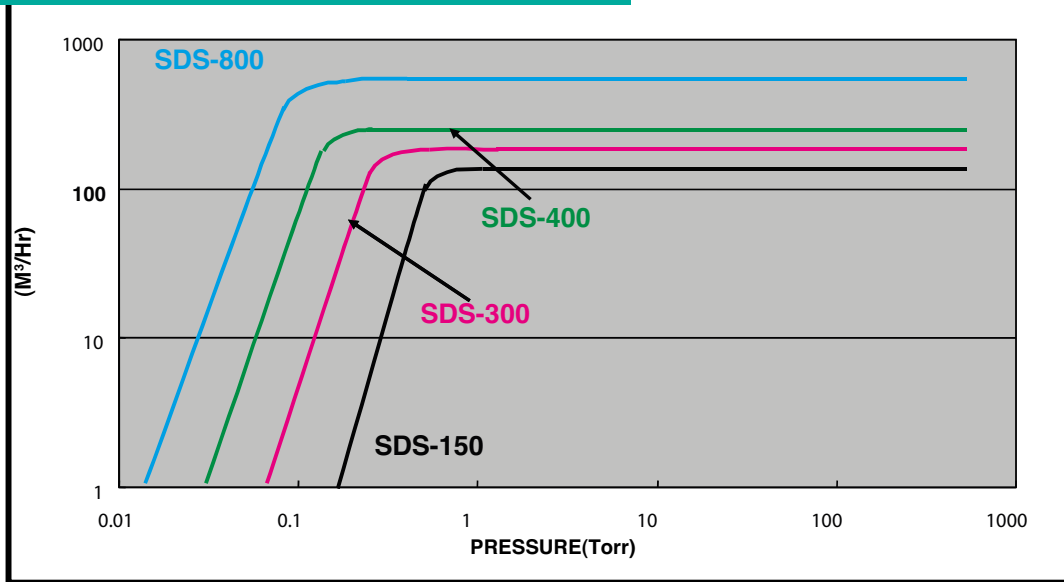


Pump Specifications

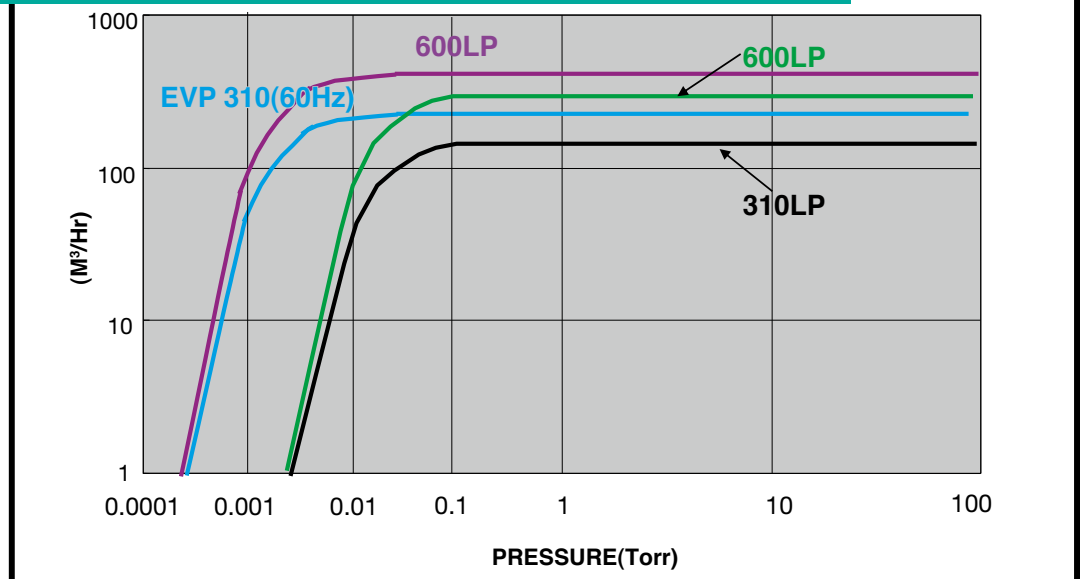
Model	SDS-150	SDS-300	SDS-310LP	SDS-400	SDS-600LP	SDS-800	SP-1500	SP-3000	
Specification	60 Hz	60 Hz	60 Hz	60 Hz	60 Hz	60 Hz	60 Hz	60 Hz	
Capacity: M3/Hr CFM	150 88	300 176	312 183	402 237	600 353	780 460	1500 883	3000 1766	
Ultimate Pressure (Torr)	0.3	0.08	0.002	0.05	0.002	0.03	0.01	0.01	
Power (Kw) (50/60Hz)	(3.7/5.5)	(7.5/11)	(11/15)	(11.5/15)	(18.5/22)	(19/22)	37	55	
Port Size	Inlet	40	50	50	65	65	100	125	150
	Outlet	40	40	40	50	50	65	100	125
Cooling Water (L/min)	2	3.5	15	7	20	10	20	30	
Gear Oil	1.5	1.7	1.7	2.5	2.5	4	4	6	
Rotational Speed (50/60Hz)	2900/3450						1600 /1750		
Corrosion Resistant Coating	PTFE/PFA								
Casting and Screw Material	GCD45								
Weight Lbs. (kg)	507 (230)	787 (350)	787 (400)	948 (430)	1350 (600)	1388 (630)	2200 (1000)	2860 (1300)	



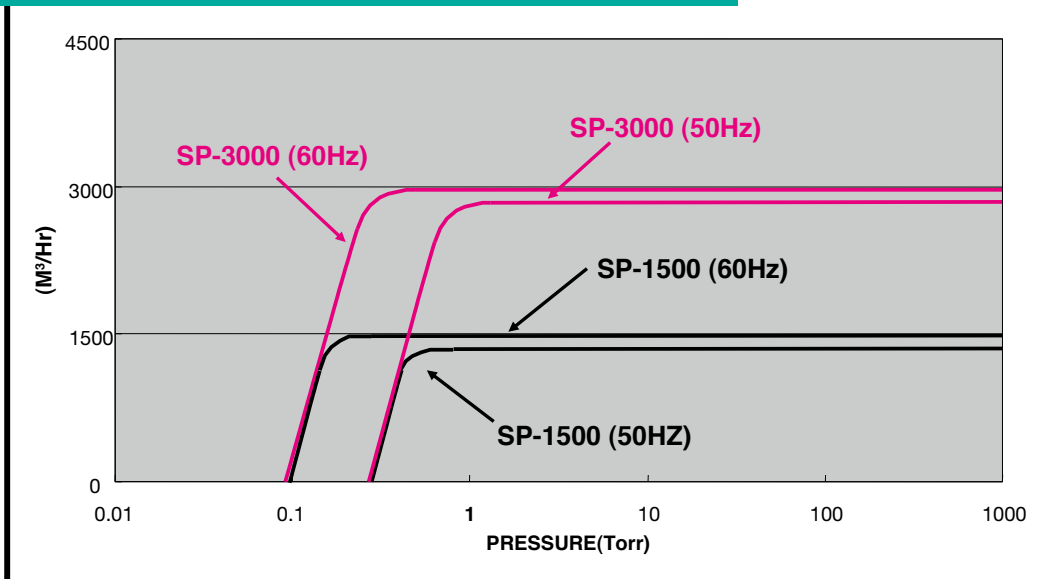
PerformanceCurve (60Hz)



PerformanceCurve (310LP | 600LP)



PerformanceCurve (60, 50Hz)



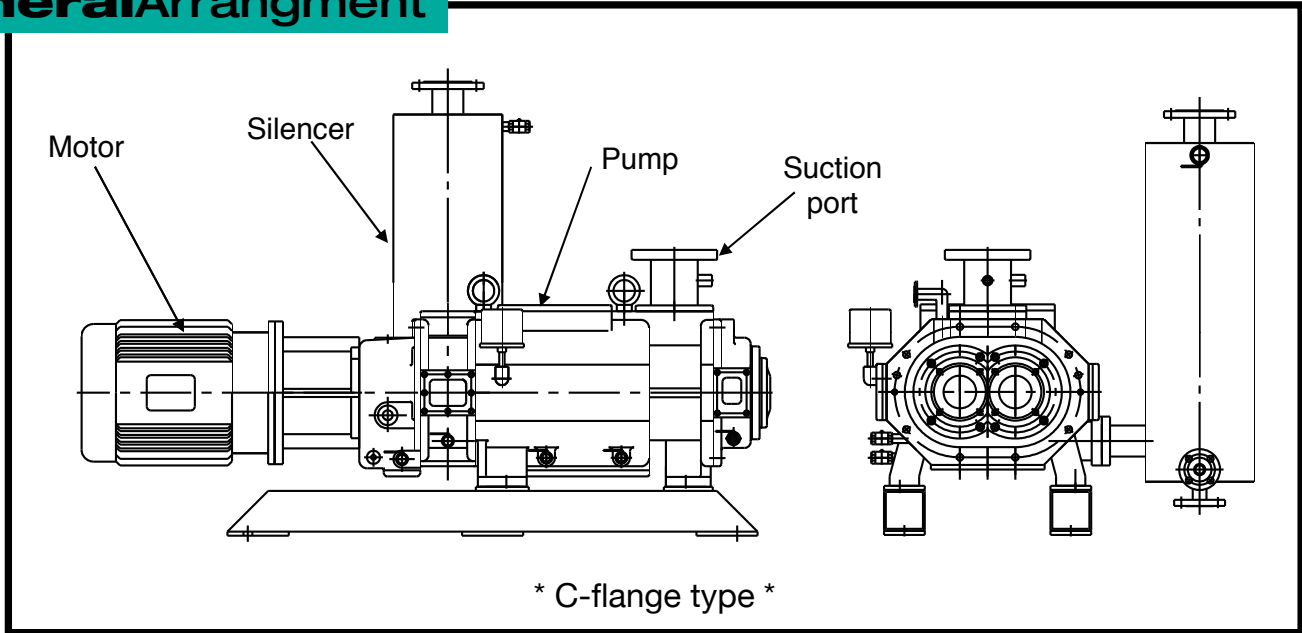


Synergy Systems Corporation, Inc.

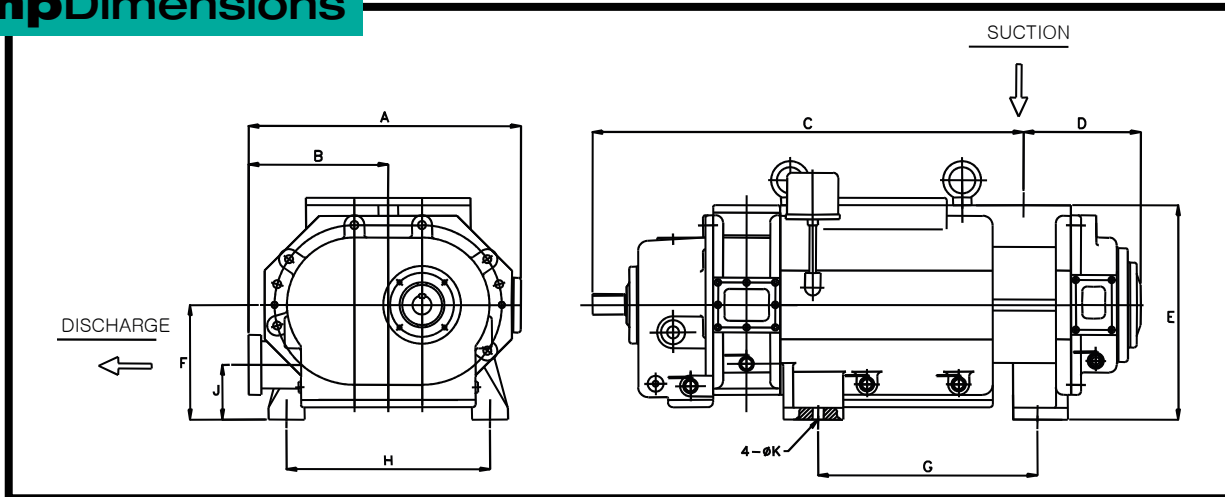
PO Box 177 | 2510 N. Townsend Ave. | Montrose, Colorado 81401

970-240-9429 | Fax: 970-240-8996 | Sales@SynSysCo.com

General Arrangement



Pump Dimensions



mm/in

MODEL	A	B	C	D	E	F	G	H	J	K
SDS-150	367/ 14.5	180/ 7.1	616/ 24.3	173/ 6.8	329/ 13.0	185/ 7.3	258/ 10.2	280/ 11.0	98/ 3.9	20/ 0.8
SDS-300	429/ 16.9	220/ 8.7	722/ 28.5	200/ 7.8	357/ 14.0	195/ 7.7	338/ 13.3	310/ 12.2	104/ 4.1	20/ 0.8
SDS-400	459/ 18.1	237/ 9.3	776/ 30.5	200/ 7.8	371/ 14.6	206/ 8.1	358/ 14.1	340/ 13.4	100/ 3.9	20/ 0.8
SDS-800	546/ 21.5	280/ 11	865/ 34.1	235/ 9.3	445/ 17.5	230/ 9.0	440/ 17.3	430/ 16.9	110/ 4.3	20/ 0.8
SDS-300LP	429/ 16.9	220/ 8.7	722/ 28.5	200/ 7.8	357/ 14.0	195/ 7.7	338/ 13.3	310/ 12.2	104/ 4.1	20/ 0.8
SDS-600LP	459/ 18.1	237/ 9.3	776/ 30.5	200/ 7.8	371/ 14.6	206/ 8.1	358/ 14.1	340/ 13.4	100/ 3.9	20/ 0.8
SDS-SP1500	640/ 25.2	320/ 12.5	1021/ 40.2	219/ 8.6	850/ 33.5	425/ 16.7	600/ 23.6	850/ 33.5	104/ 4.1	24/ 0.9
SDS-SP3000	745/ 29.3	375/ 14.7	1100/ 43.3	250/ 9.8	980/ 38.6	490/ 19.3	750/ 29.5	980/ 38.6	225/ 8.9	26/ 1.0